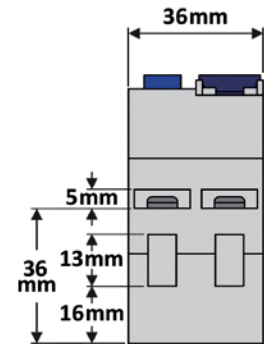
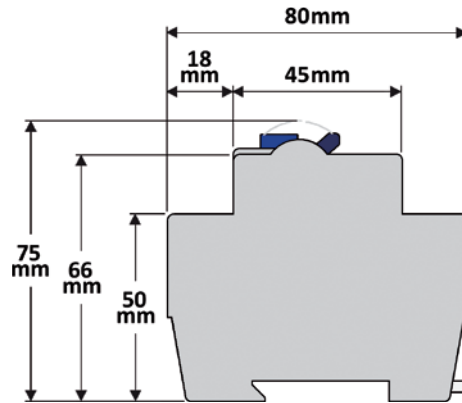


RtecX6 6kA RCBOs

6A - 40A



EN 61009-1
EN 61009-2-1



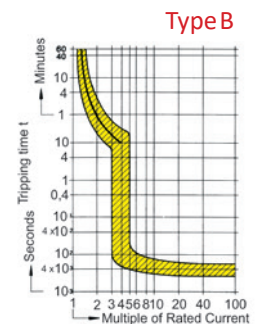
The RtecX6 range provides combined residual current (earth leakage) protection and overload/short circuit protection in a single device and may be used to replace an RCCB/MCB combination.

RtecX6 RCBOs feature dual pole switching with live and neutral disconnection. Available as Type AC (for alternating current only) or Type A (for alternating and pulsating DC currents).

The RtecX6 range is also available in a LV version designed to be used on 110V systems. Inbuilt test button operates at rated voltage.

RtecX6 Technical Specification

Number of Poles	2
Type	AC (Standard AC only) or A (DC Pulse Protected)
Rated Voltage (Un)	110 or 230 Vac
Rated Current	6, 10, 16, 20, 25, 32, 40A
Rated Residual Operating Current (I _n)	30, 100, 300mA
Rated Short Circuit Capacity (I _{nc})	6kA
Overload Tripping	Trip Curves Type B and C
Electrical Life	4000 Switching Operations



RtecX6 Ordering Scheme

RtecX6	2	B	06	030
Version: RtecX6 (AC) RtecX6A (A) RtecX6LV (AC) RtecX6ALV (A)	No. of Poles: 2 (230V) 2 (110V)	Trip Curve: B, C	Rated Current: 6, 10, 16, 20, 25, 32, 40A	Residual Current Sensitivity: 030 = 30mA 100 = 100mA 300 = 300mA

